



Model: BSC-2039V

Basic size of
 mm

d:	90
D:	150
B:	72

The basic rated load is
 kN

trends C:	455
static state Co:	670
Fatigue load limit Pu:	73.5

Rated rotation speed is
 r/min

Refer to the speed:	-
limit speed:	1500
quality:	5.1

model

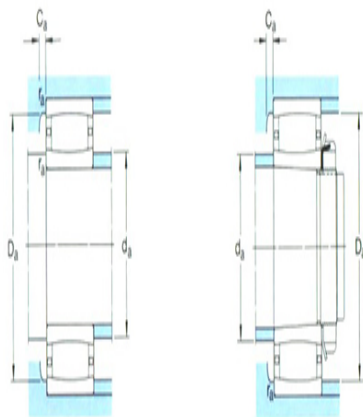
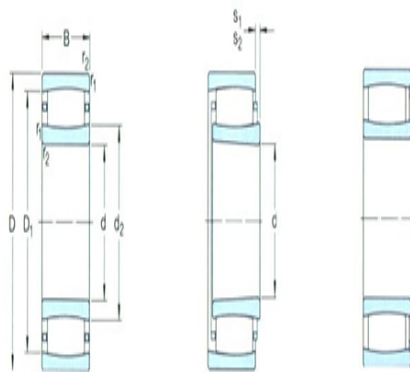
Bearing cylindrical hole:	*BSC-2039V
conical bore:	-

Dimensions are
 mm

d:	90
d ₂ ~ :	109
D1 ~ :	131
r _{1,2} the min:	2
s ₁ ¹⁾ ~ :	19.7
s ₂ ¹⁾ ~ :	19.7

Shoulder gear and chamfer size
 mm

d _a the min:	101
d _a the max:	115
Da the min:	-
Da the max:	139
Ca ²⁾ the max:	-
r _a the max:	2



Calculation coefficient

k_1 : 0.087

k_2 : 0.123