



Model: C2318

Basic size of
mm

d:	90
D:	190
B:	64

The basic rated load is
kN

trends C:	610
static state Co:	695
Fatigue load limit Pu:	73.5

Rated rotation speed is
r/min

Refer to the speed:	2800
limit speed:	4000
quality:	8.5

model

Bearing cylindrical hole:	*C2318
conical bore:	*C2318K

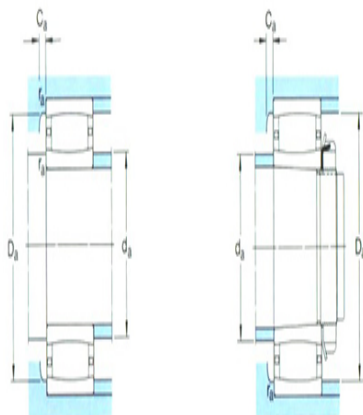
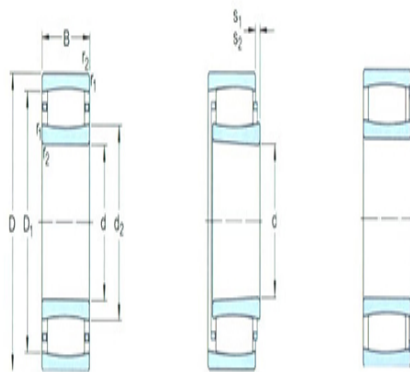
Dimensions are
mm

d:	90
d ₂ ~ :	119
D1 ~ :	166
r _{1,2} the min:	3
s ₁ ¹⁾ ~ :	9.6
s ₂ ¹⁾ ~ :	-

Shoulder gear and chamfer size
mm

d _a the min:	104
d _a the max:	135
Da the min:	155
Da the max:	176
Ca ²⁾ the max:	2
r _a the max:	2.5

Calculation coefficient



$k_1:$ 0.108

$k_2:$ 0.101