



Model: C2319

Basic size of
 mm

d:	95
D:	200
B:	67

The basic rated load is
 kN

trends C:	610
static state Co:	695
Fatigue load limit Pu:	73.5

Rated rotation speed is
 r/min

Refer to the speed:	2800
limit speed:	4000
quality:	10

model

Bearing cylindrical hole:	*C2319
conical bore:	*C2319K

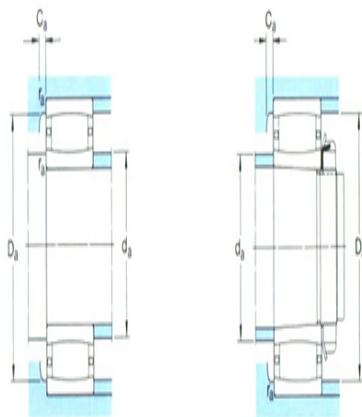
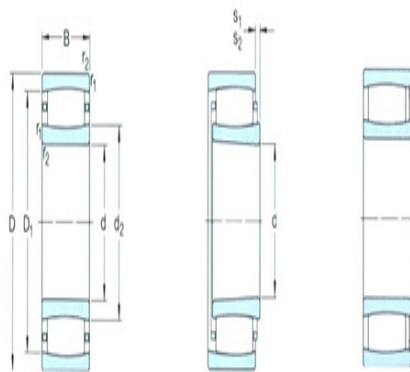
Dimensions are
 mm

d:	95
d ₂ ~ :	120
D1 ~ :	166
r _{1,2} the min:	3
s ₁ ¹⁾ ~ :	12.6
s ₂ ¹⁾ ~ :	-

Shoulder gear and chamfer size
 mm

d _a the min:	109
d _a the max:	135
Da the min:	155
Da the max:	186
Ca ²⁾ the max:	2.1
r _a the max:	2.5

Calculation coefficient



$k_1:$ 0.103

$k_2:$ 0.106