



Model: C4920V1

Basic size of
 mm

d:	100
D:	140
B:	40

The basic rated load is
 kN

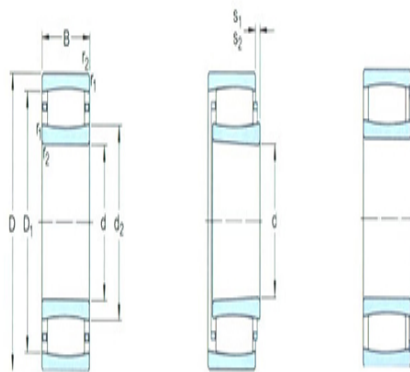
trends C:	275
static state Co:	450
Fatigue load limit Pu:	49

Rated rotation speed is
 r/min

Refer to the speed:	-
limit speed:	1700
quality:	1.9

model

Bearing cylindrical hole:	*C4920V1)
conical bore:	*C4920K30V1)

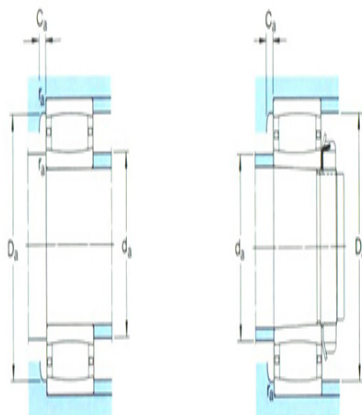


Dimensions are
 mm

d:	100
d ₂ ~ :	113
D1 ~ :	130
r _{1,2} the min:	1.1
s ₁ ¹⁾ ~ :	9.4
s ₂ ¹⁾ ~ :	5.1

Shoulder gear and chamfer size
 mm

d _a the min:	106
d _a the max:	110
Da the min:	-
Da the max:	134
Ca ²⁾ the max:	-



r_a the max:	1
----------------	---

Calculation coefficient

k_1 :	0.115
---------	-------

k_2 :	0.103
---------	-------