



Model: C5920V1

Basic size of
 mm

| | |
|----|-----|
| d: | 100 |
| D: | 140 |
| B: | 54 |

The basic rated load is
 kN

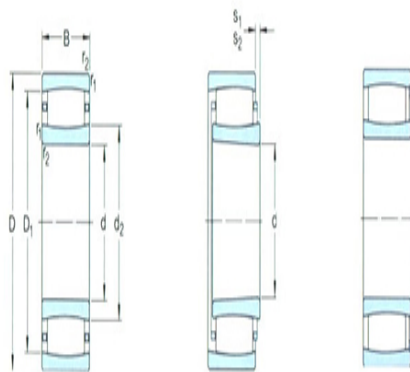
| | |
|------------------------|-----|
| trends C: | 375 |
| static state Co: | 640 |
| Fatigue load limit Pu: | 68 |

Rated rotation speed is
 r/min

| | |
|---------------------|------|
| Refer to the speed: | - |
| limit speed: | 1400 |
| quality: | 2.7 |

model

| | |
|---------------------------|------------|
| Bearing cylindrical hole: | *C5920V1) |
| conical bore: | - |

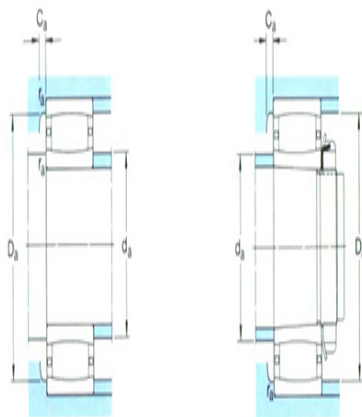


Dimensions are
 mm

| | |
|----------------------------------|-----|
| d: | 100 |
| d ₂ ~ : | 110 |
| D1 ~ : | 127 |
| r _{1,2} the min: | 1.1 |
| s ₁ ¹⁾ ~ : | 9 |
| s ₂ ¹⁾ ~ : | 4.7 |

Shoulder gear and chamfer size
 mm

| | |
|---------------------------|-----|
| d _a the min: | 106 |
| d _a the max: | 105 |
| Da the min: | - |
| Da the max: | 134 |
| Ca ²⁾ the max: | - |
| r _a the max: | 1 |



Calculation coefficient

k_1 : 0.103

k_2 : 0.105