



### Model: C4020V

Basic size of  
mm

d:	100
D:	150
B:	50

The basic rated load is  
kN

trends C:	355
static state Co:	530
Fatigue load limit Pu:	57

Rated rotation speed is  
r/min

Refer to the speed:	-
limit speed:	1400
quality:	3.05

model

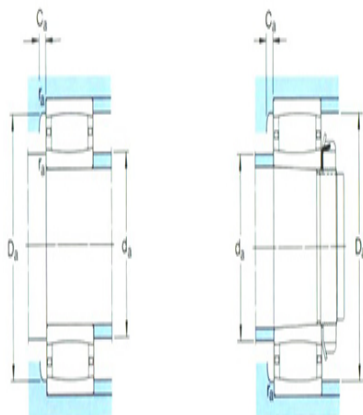
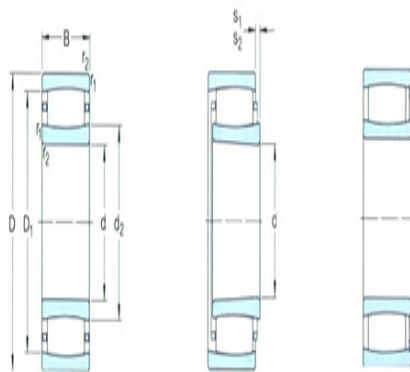
Bearing cylindrical hole:	*C4020V
conical bore:	*C4020K30 V

Dimensions are  
mm

d:	100
d <sub>2</sub> ~ :	113
D1 ~ :	135
r <sub>1,2</sub> the min:	1.5
s <sub>1</sub> <sup>1)</sup> ~ :	14
s <sub>2</sub> <sup>1)</sup> ~ :	9.7

Shoulder gear and chamfer size  
mm

d <sub>a</sub> the min:	109
d <sub>a</sub> the max:	120
Da the min:	-
Da the max:	141
Ca <sup>2)</sup> the max:	-



$r_a$ the max:	1.5
----------------	-----

Calculation coefficient

$k_1$ :	0.098
---------	-------

$k_2$ :	0.118
---------	-------