



### Model: C5020V

Basic size of  
 mm

d:	100
D:	150
B:	67

The basic rated load is  
 kN

trends C:	510
static state Co:	865
Fatigue load limit Pu:	90

Rated rotation speed is  
 r/min

Refer to the speed:	-
limit speed:	1100
quality:	4.3

model

Bearing cylindrical hole:	*C5020V
conical bore:	-

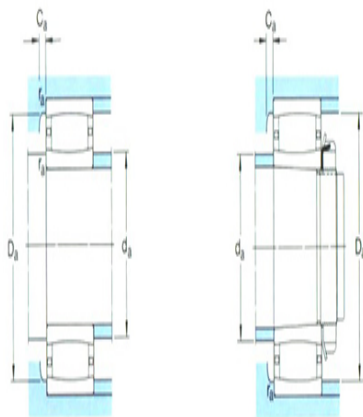
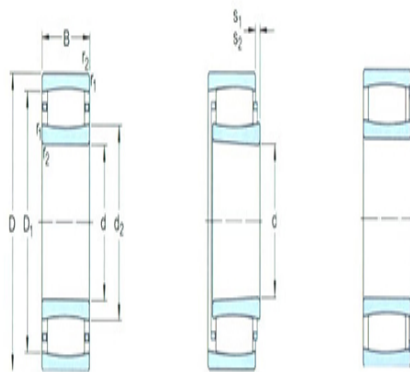
Dimensions are  
 mm

d:	100
d <sub>2</sub> ~ :	114
D1 ~ :	136
r <sub>1,2</sub> the min:	1.5
s <sub>1</sub> <sup>1)</sup> ~ :	9.3
s <sub>2</sub> <sup>1)</sup> ~ :	5

Shoulder gear and chamfer size  
 mm

d <sub>a</sub> the min:	109
d <sub>a</sub> the max:	125
Da the min:	-
Da the max:	141
Ca <sup>2)</sup> the max:	-
r <sub>a</sub> the max:	1.5

Calculation coefficient



$k_1:$  0.112

$k_2:$  0.094