



## Model: C3120V

Basic size of  
mm

d:	100
D:	165
B:	52

The basic rated load is  
kN

trends C:	475
static state Co:	655
Fatigue load limit Pu:	69.5

Rated rotation speed is  
r/min

Refer to the speed:	-
limit speed:	1300
quality:	4.4

model

Bearing cylindrical hole:	*C3120V
conical bore:	-

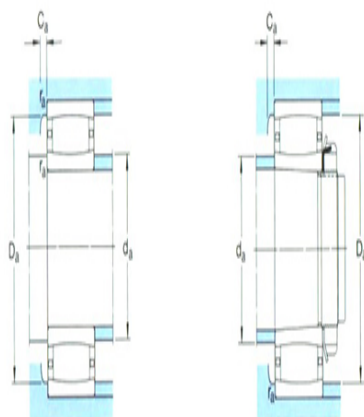
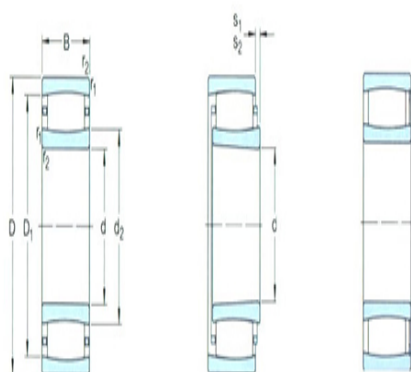
Dimensions are  
mm

d:	100
d <sub>2</sub> ~ :	119
D1 ~ :	150
r <sub>1,2</sub> the min:	2
s <sub>1</sub> <sup>1)</sup> ~ :	10
s <sub>2</sub> <sup>1)</sup> ~ :	4.7

Shoulder gear and chamfer size  
mm

d <sub>a</sub> the min:	111
d <sub>a</sub> the max:	130
Da the min:	-
Da the max:	154
Ca <sup>2)</sup> the max:	-
r <sub>a</sub> the max:	2

Calculation coefficient



$k_1:$  0.1

$k_2:$  0.112