



Model: C4120V/VE240

Basic size of
mm

d:	100
D:	165
B:	65

The basic rated load is
kN

trends C:	475
static state Co:	655
Fatigue load limit	69.5
Pu:	

Rated rotation speed is
r/min

Refer to the speed:	-
limit speed:	1300
quality:	5.25

model

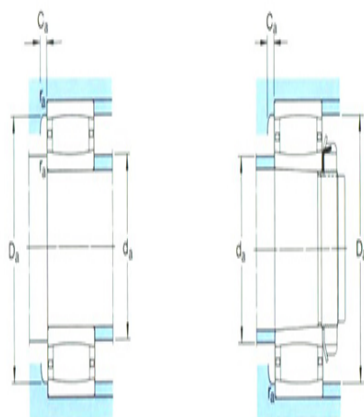
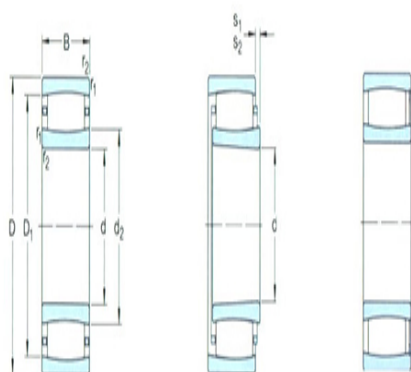
Bearing cylindrical hole:	*C4120V/VE240
conical bore:	*C4120K30V/VE240
	0

Dimensions are
mm

d:	100
d ₂ ~ :	120
D1 ~ :	148
r _{1,2} the min:	2
s ₁ ¹⁾ ~ :	17.7
s ₂ ¹⁾ ~ :	17.7

Shoulder gear and chamfer size
mm

d _a the min:	111
d _a the max:	130
Da the min:	-



Da the max: 154

Ca²) the max: -

r_a the max: 2

Calculation coefficient

k₁: 0.09

k₂: 0.125