



### Model: BSC-2034V

Basic size of  
mm

d:	100
D:	170
B:	65

The basic rated load is  
kN

trends C:	475
static state Co:	655
Fatigue load limit Pu:	69.5

Rated rotation speed is  
r/min

Refer to the speed:	-
limit speed:	1400
quality:	5.95

model

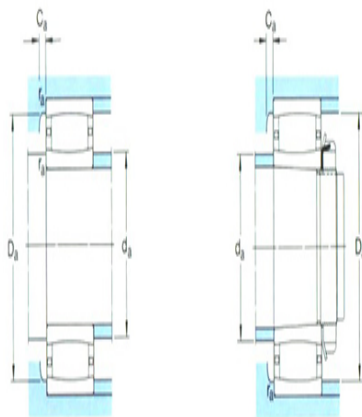
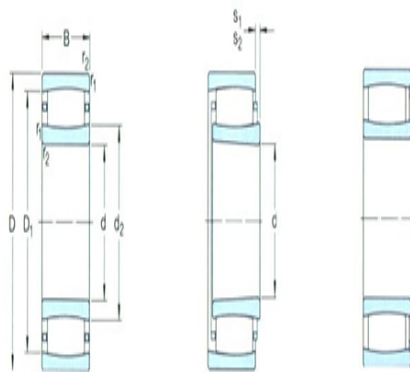
Bearing cylindrical hole:	*BSC-2034V
conical bore:	-

Dimensions are  
mm

d:	100
d <sub>2</sub> ~ :	120
D1 ~ :	148
r <sub>1,2</sub> the min:	2
s <sub>1</sub> <sup>1)</sup> ~ :	17.7
s <sub>2</sub> <sup>1)</sup> ~ :	17.7

Shoulder gear and chamfer size  
mm

d <sub>a</sub> the min:	111
d <sub>a</sub> the max:	130
Da the min:	-
Da the max:	159
Ca <sup>2)</sup> the max:	-
r <sub>a</sub> the max:	2



Calculation coefficient

$k_1$ : 0.09

$k_2$ : 0.125