



## Model: C2320

Basic size of  
mm

d:	100
D:	215
B:	73

The basic rated load is  
kN

trends C:	800
static state Co:	880
Fatigue load limit Pu:	91.5

Rated rotation speed is  
r/min

Refer to the speed:	2600
limit speed:	3600
quality:	12.5

model

Bearing cylindrical hole:	*C2320
conical bore:	*C2320K

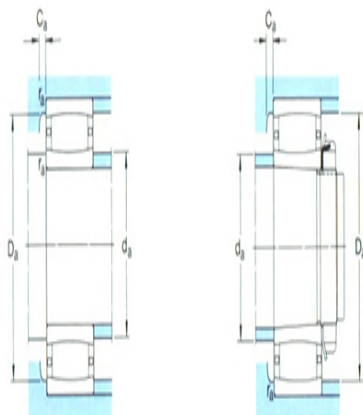
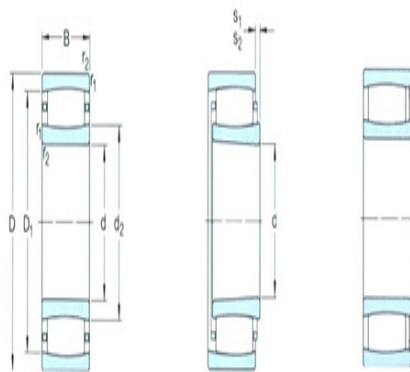
Dimensions are  
mm

d:	100
d <sub>2</sub> ~ :	126
D1 ~ :	185
r <sub>1,2</sub> the min:	3
s <sub>1</sub> <sup>1)</sup> ~ :	11.2
s <sub>2</sub> <sup>1)</sup> ~ :	-

Shoulder gear and chamfer size  
mm

d <sub>a</sub> the min:	114
d <sub>a</sub> the max:	150
Da the min:	170
Da the max:	201
Ca <sup>2)</sup> the max:	3.2
r <sub>a</sub> the max:	2.5

Calculation coefficient



$k_1:$  0.113

$k_2:$  0.096