



Model: C30221

Basic size of
 mm

d:	110
D:	170
B:	45

The basic rated load is
 kN

trends C:	355
static state Co:	480
Fatigue load limit Pu:	51

Rated rotation speed is
 r/min

Refer to the speed:	3200
limit speed:	4500
quality:	3.5

model

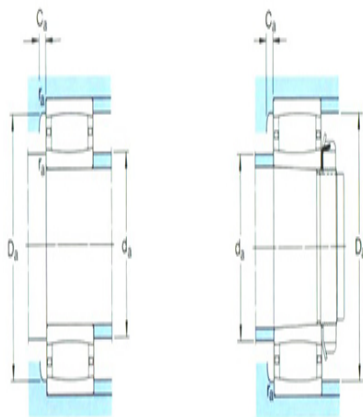
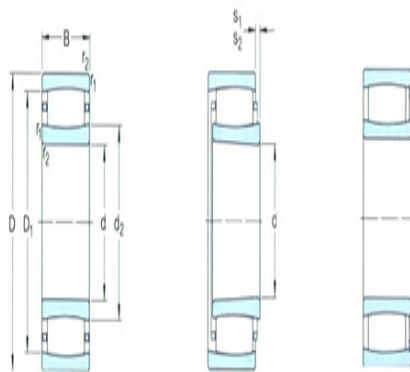
Bearing cylindrical hole:	*C30221)
conical bore:	*C3022K1)

Dimensions are
 mm

d:	110
d ₂ ~ :	128
D1 ~ :	156
r _{1,2} the min:	2
s ₁ ¹⁾ ~ :	9.5
s ₂ ¹⁾ ~ :	-

Shoulder gear and chamfer size
 mm

d _a the min:	119
d _a the max:	127
Da the min:	157
Da the max:	161
Ca ²⁾ the max:	4



r_a the max:	2
----------------	---

Calculation coefficient

k_1 :	0.107
---------	-------

k_2 :	0.11
---------	------