



Model: C4022V

Basic size of
 mm

d:	110
D:	170
B:	60

The basic rated load is
 kN

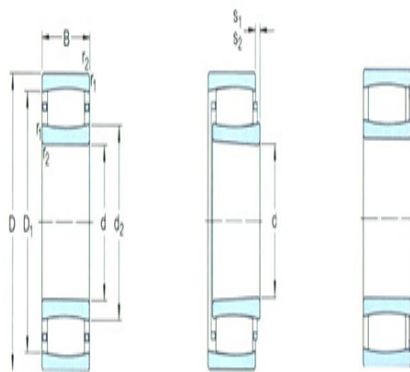
trends C:	500
static state Co:	800
Fatigue load limit Pu:	83

Rated rotation speed is
 r/min

Refer to the speed:	-
limit speed:	1200
quality:	5.15

model

Bearing cylindrical hole:	*C4022V
conical bore:	*C4022K30 V

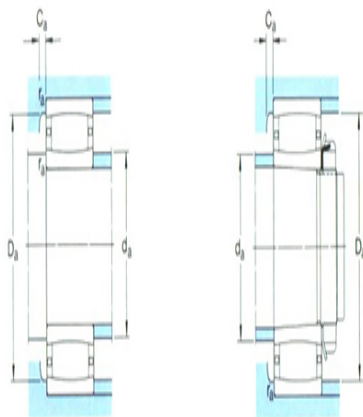


Dimensions are
 mm

d:	110
d ₂ ~ :	126
D1 ~ :	150
r _{1,2} the min:	2
s ₁ ¹⁾ ~ :	12
s ₂ ¹⁾ ~ :	6.6

Shoulder gear and chamfer size
 mm

d _a the min:	119
d _a the max:	130
Da the min:	-
Da the max:	161
Ca ²⁾ the max:	-



r_a the max:	2
----------------	---

Calculation coefficient

k_1 :	0.107
---------	-------

k_2 :	0.103
---------	-------