



### Model: C4122V

Basic size of  
mm

d:	110
D:	180
B:	69

The basic rated load is  
kN

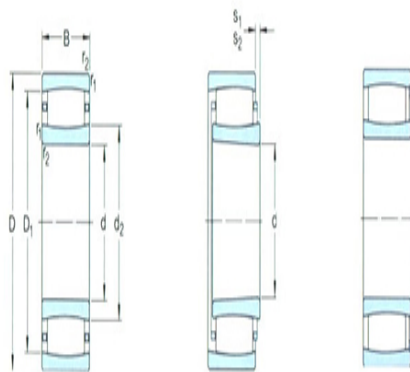
trends C:	670
static state Co:	1000
Fatigue load limit Pu:	102

Rated rotation speed is  
r/min

Refer to the speed:	-
limit speed:	900
quality:	7.05

model

Bearing cylindrical hole:	*C4122V
conical bore:	*C4122K30 V

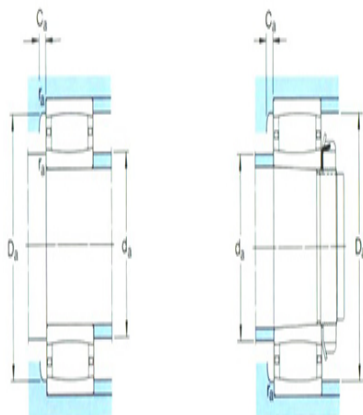


Dimensions are  
mm

d:	110
d <sub>2</sub> ~ :	132
D1 ~ :	163
r <sub>1,2</sub> the min:	2
s <sub>1</sub> <sup>1)</sup> ~ :	11.4
s <sub>2</sub> <sup>1)</sup> ~ :	4.6

Shoulder gear and chamfer size  
mm

d <sub>a</sub> the min:	120
d <sub>a</sub> the max:	145
Da the min:	-
Da the max:	170
Ca <sup>2)</sup> the max:	-



$r_a$ the max:	2
----------------	---

Calculation coefficient

$k_1$ :	0.111
---------	-------

$k_2$ :	0.097
---------	-------