



Model: C2222

Basic size of
mm

d:	110
D:	200
B:	53

The basic rated load is
kN

trends C:	530
static state Co:	620
Fatigue load limit Pu:	64

Rated rotation speed is
r/min

Refer to the speed:	3200
limit speed:	4300
quality:	6.9

model

Bearing cylindrical hole:	*C2222
conical bore:	*C2222K

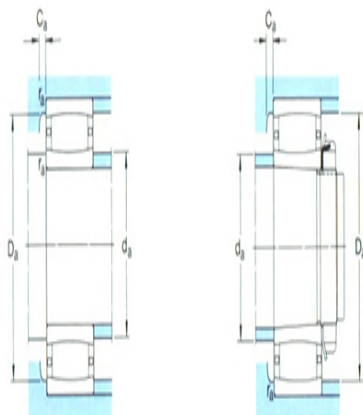
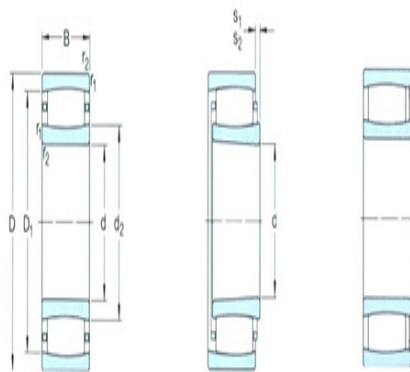
Dimensions are
mm

d:	110
d ₂ ~ :	132
D1 ~ :	176
r _{1,2} the min:	2.1
s ₁ ¹⁾ ~ :	11.1
s ₂ ¹⁾ ~ :	-

Shoulder gear and chamfer size
mm

d _a the min:	122
d _a the max:	150
Da the min:	165
Da the max:	188
Ca ²⁾ the max:	1.9
r _a the max:	2

Calculation coefficient



$k_1:$ 0.113

$k_2:$ 0.103