



## Model: C3024

Basic size of  
mm

d:	120
D:	180
B:	46

The basic rated load is  
kN

trends C:	375
static state Co:	530
Fatigue load limit Pu:	55

Rated rotation speed is  
r/min

Refer to the speed:	3000
limit speed:	4000
quality:	3.9

model

Bearing cylindrical hole:	*C3024
conical bore:	*C3024K

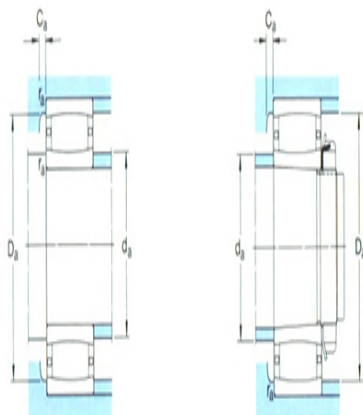
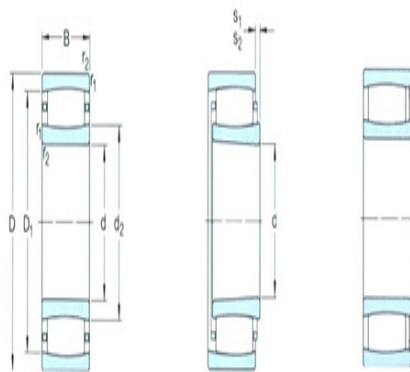
Dimensions are  
mm

d:	120
d <sub>2</sub> ~ :	138
D1 ~ :	166
r <sub>1,2</sub> the min:	2
s <sub>1</sub> <sup>1)</sup> ~ :	10.6
s <sub>2</sub> <sup>1)</sup> ~ :	-

Shoulder gear and chamfer size  
mm

d <sub>a</sub> the min:	129
d <sub>a</sub> the max:	145
Da the min:	160
Da the max:	171
Ca <sup>2)</sup> the max:	0.9
r <sub>a</sub> the max:	2

Calculation coefficient



$k_1:$  0.111

$k_2:$  0.109