



**Model: C3024V**

Basic size of  
 mm

d:	120
D:	180
B:	46

The basic rated load is  
 kN

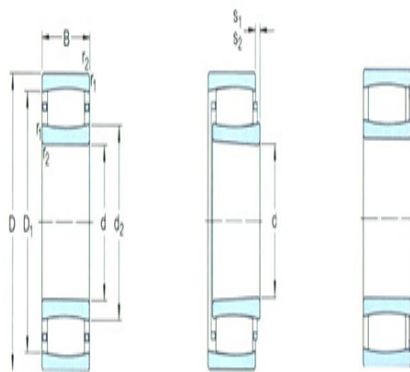
trends C:	430
static state Co:	640
Fatigue load limit Pu:	67

Rated rotation speed is  
 r/min

Refer to the speed:	-
limit speed:	1400
quality:	4.05

model

Bearing cylindrical hole:	*C3024V
conical bore:	*C3024K V

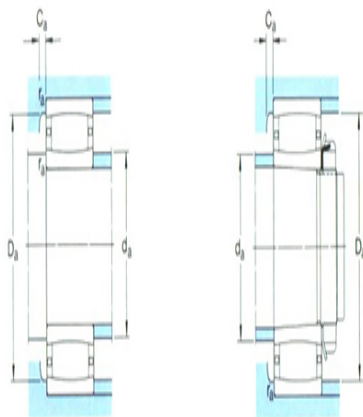


Dimensions are  
 mm

d:	120
d <sub>2</sub> ~ :	138
D1 ~ :	166
r <sub>1,2</sub> the min:	2
s <sub>1</sub> <sup>1)</sup> ~ :	10.6
s <sub>2</sub> <sup>1)</sup> ~ :	3.8

Shoulder gear and chamfer size  
 mm

d <sub>a</sub> the min:	129
d <sub>a</sub> the max:	150
Da the min:	-
Da the max:	171
Ca <sup>2)</sup> the max:	-



$r_a$ the max:	2
----------------	---

Calculation coefficient

$k_1$ :	0.111
---------	-------

$k_2$ :	0.109
---------	-------