



## Model: C4124V1

Basic size of  
mm

d:	120
D:	200
B:	80

The basic rated load is  
kN

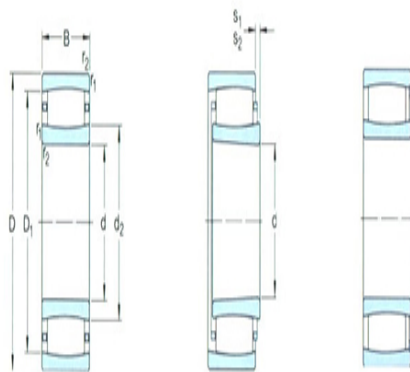
trends C:	780
static state Co:	1120
Fatigue load limit Pu:	114

Rated rotation speed is  
r/min

Refer to the speed:	-
limit speed:	750
quality:	10.5

model

Bearing cylindrical hole:	*C4124V1)
conical bore:	*C4124K30V1)

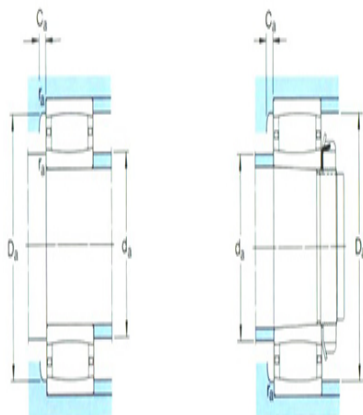


Dimensions are  
mm

d:	120
d <sub>2</sub> ~ :	140
D1 ~ :	176
r <sub>1,2</sub> the min:	2
s <sub>1</sub> <sup>1)</sup> ~ :	18
s <sub>2</sub> <sup>1)</sup> ~ :	11.2

Shoulder gear and chamfer size  
mm

d <sub>a</sub> the min:	131
d <sub>a</sub> the max:	140
Da the min:	-
Da the max:	189
Ca <sup>2)</sup> the max:	-



$r_a$ the max:	2
----------------	---

Calculation coefficient

$k_1$ :	0.103
---------	-------

$k_2$ :	0.103
---------	-------