



Model: C22241

Basic size of
 mm

| | |
|----|-----|
| d: | 120 |
| D: | 215 |
| B: | 58 |

The basic rated load is
 kN

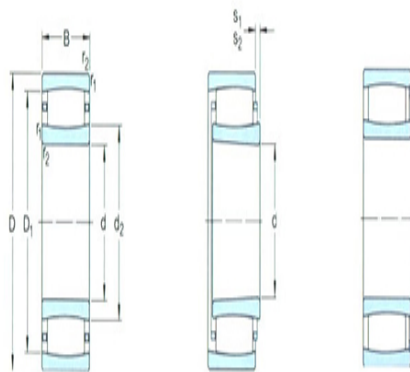
| | |
|------------------------|-----|
| trends C: | 610 |
| static state Co: | 710 |
| Fatigue load limit Pu: | 72 |

Rated rotation speed is
 r/min

| | |
|---------------------|------|
| Refer to the speed: | 3000 |
| limit speed: | 4000 |
| quality: | 8.6 |

model

| | |
|---------------------------|------------|
| Bearing cylindrical hole: | *C22241) |
| conical bore: | *C2224K1) |

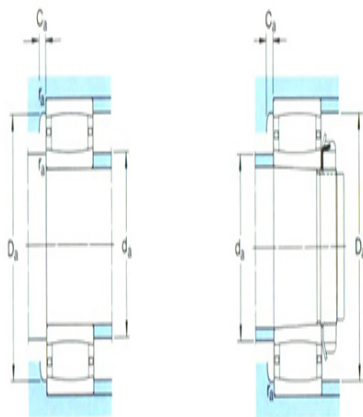


Dimensions are
 mm

| | |
|----------------------------------|-----|
| d: | 120 |
| d ₂ ~ : | 144 |
| D1 ~ : | 191 |
| r _{1,2} the min: | 2.1 |
| s ₁ ¹⁾ ~ : | 13 |
| s ₂ ¹⁾ ~ : | - |

Shoulder gear and chamfer size
 mm

| | |
|---------------------------|-----|
| d _a the min: | 132 |
| d _a the max: | 143 |
| Da the min: | 192 |
| Da the max: | 203 |
| Ca ²⁾ the max: | 5.4 |



| | |
|----------------|---|
| r_a the max: | 2 |
|----------------|---|

Calculation coefficient

| | |
|---------|-------|
| k_1 : | 0.113 |
|---------|-------|

| | |
|---------|-------|
| k_2 : | 0.103 |
|---------|-------|