



Model: C4026V

Basic size of
 mm

d:	130
D:	200
B:	69

The basic rated load is
 kN

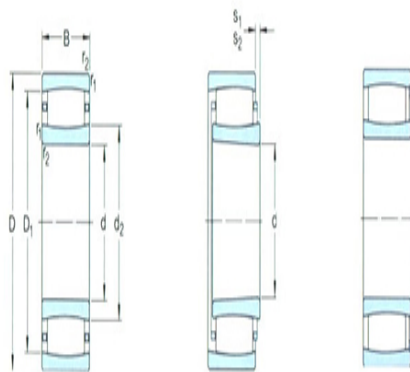
trends C:	720
static state Co:	1120
Fatigue load limit Pu:	112

Rated rotation speed is
 r/min

Refer to the speed:	-
limit speed:	850
quality:	8.05

model

Bearing cylindrical hole:	*C4026V
conical bore:	*C4026K30 V

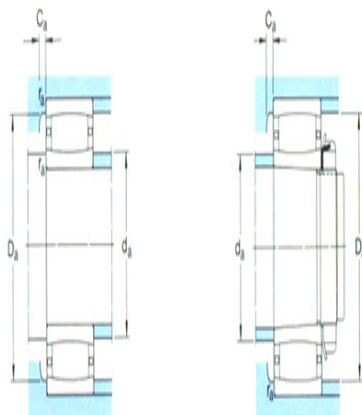


Dimensions are
 mm

d:	130
d ₂ ~ :	149
D1 ~ :	181
r _{1,2} the min:	2
s ₁ ¹⁾ ~ :	11.4
s ₂ ¹⁾ ~ :	4.6

Shoulder gear and chamfer size
 mm

d _a the min:	139
d _a the max:	165
Da the min:	-
Da the max:	191
Ca ²⁾ the max:	-



r_a the max:	2
----------------	---

Calculation coefficient

k_1 :	0.113
---------	-------

k_2 :	0.097
---------	-------