



Model: C4126V/VE240

Basic size of
mm

d:	130
D:	210
B:	80

The basic rated load is
kN

trends C:	750
static state Co:	1100
Fatigue load limit	108
Pu:	

Rated rotation speed is
r/min

Refer to the speed:	-
limit speed:	670
quality:	10.5

model

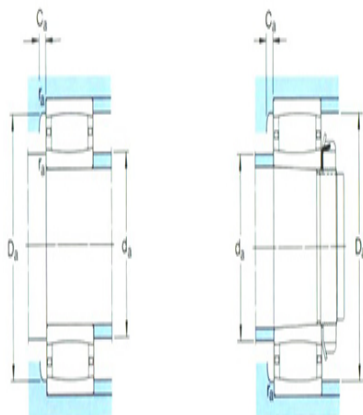
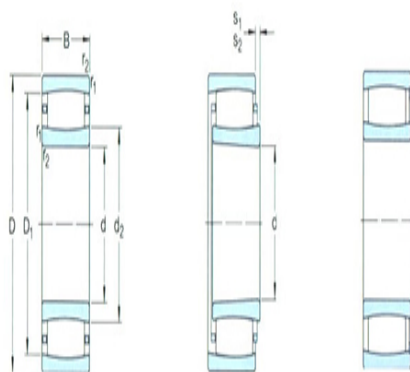
Bearing cylindrical hole:	*C4126V/VE240
conical bore:	*C4126K30V/VE240
	0

Dimensions are
mm

d:	130
d ₂ ~ :	153
D1 ~ :	190
r _{1,2} the min:	2
s ₁ ¹⁾ ~ :	9.7
s ₂ ¹⁾ ~ :	9.7

Shoulder gear and chamfer size
mm

d _a the min:	141
d _a the max:	170
Da the min:	-



Da the max: 199

Ca²) the max: -

r_a the max: 2

Calculation coefficient

k₁: 0.09

k₂: 0.126