



Model: C2218K

Basic size of
mm

d:	90
D:	160
B:	40

The basic rated load is
kN

trends C:	325
static state Co:	380
Fatigue load limit Pu:	42.5

Rated rotation speed is
r/min

Refer to the speed:	3800
limit speed:	5300
quality:	3.3

model

Bearing cylindrical hole:	*C2218
conical bore:	*C2218K

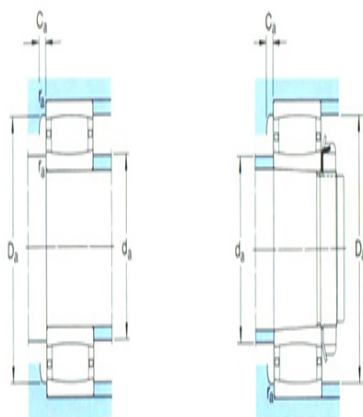
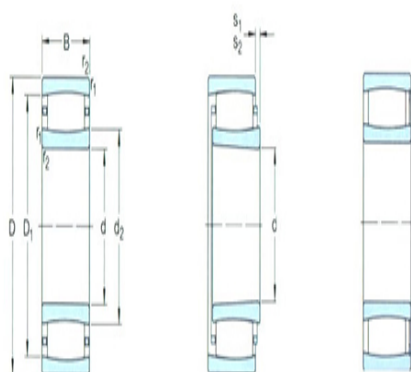
Dimensions are
mm

d:	90
d ₂ ~ :	112
D1 ~ :	144
r _{1,2} the min:	2
s ₁ ¹⁾ ~ :	9.5
s ₂ ¹⁾ ~ :	-

Shoulder gear and chamfer size
mm

d _a the min:	101
d _a the max:	120
Da the min:	130
Da the max:	149
Ca ²⁾ the max:	1.4
r _a the max:	2

Calculation coefficient



$k_1:$ 0.104

$k_2:$ 0.117