



Model: C2218KV

Basic size of
 mm

d:	90
D:	160
B:	40

The basic rated load is
 kN

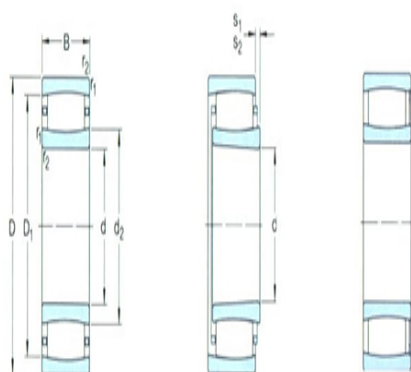
trends C:	365
static state Co:	440
Fatigue load limit Pu:	49

Rated rotation speed is
 r/min

Refer to the speed:	-
limit speed:	1500
quality:	3.4

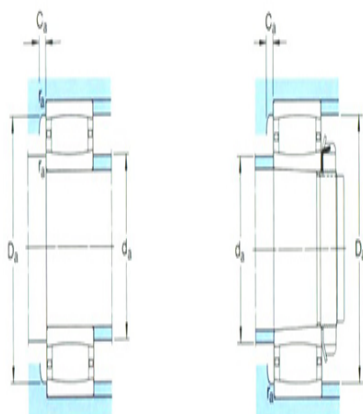
model

Bearing cylindrical hole:	*C2218V
conical bore:	*C2218K V



Dimensions are
 mm

d:	90
d ₂ ~ :	112
D1 ~ :	144
r _{1,2} the min:	2
s ₁ ¹⁾ ~ :	9.5
s ₂ ¹⁾ ~ :	5.4



Shoulder gear and chamfer size
 mm

d _a the min:	101
d _a the max:	125
Da the min:	-
Da the max:	149
Ca ²⁾ the max:	-

r_a the max:	2
----------------	---

Calculation coefficient

k_1 :	0.104
---------	-------

k_2 :	0.117
---------	-------