



Model: C2219K1

Basic size of
mm

d:	95
D:	170
B:	43

The basic rated load is
kN

trends C:	360
static state Co:	400
Fatigue load limit Pu:	44

Rated rotation speed is
r/min

Refer to the speed:	3800
limit speed:	5000
quality:	4

model

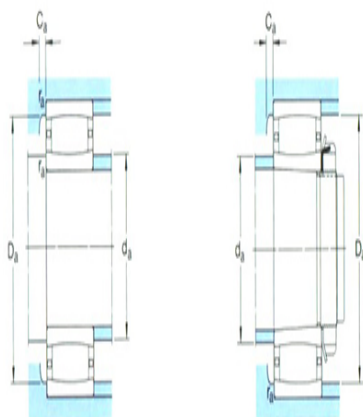
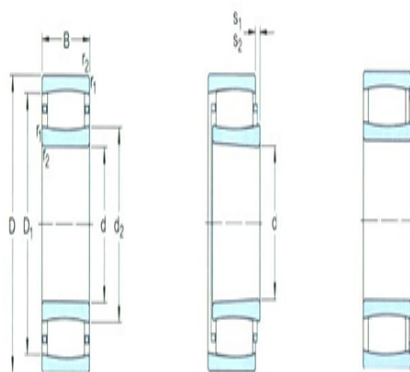
Bearing cylindrical hole:	*C22191)
conical bore:	*C2219K1)

Dimensions are
mm

d:	95
d ₂ ~ :	113
D1 ~ :	149
r _{1,2} the min:	2.1
s ₁ ¹⁾ ~ :	10.5
s ₂ ¹⁾ ~ :	-

Shoulder gear and chamfer size
mm

d _a the min:	107
d _a the max:	112
Da the min:	149
Da the max:	158
Ca ²⁾ the max:	4.2



r_a the max:	2
----------------	---

Calculation coefficient

k_1 :	0.114
---------	-------

k_2 :	0.104
---------	-------