



Model: C3024KV

Basic size of
 mm

| | |
|----|-----|
| d: | 120 |
| D: | 180 |
| B: | 46 |

The basic rated load is
 kN

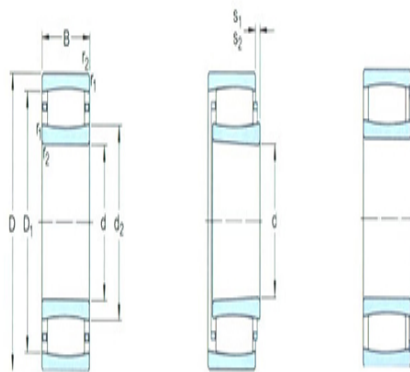
| | |
|------------------------|-----|
| trends C: | 430 |
| static state Co: | 640 |
| Fatigue load limit Pu: | 67 |

Rated rotation speed is
 r/min

| | |
|---------------------|------|
| Refer to the speed: | - |
| limit speed: | 1400 |
| quality: | 4.05 |

model

| | |
|---------------------------|--------------|
| Bearing cylindrical hole: | *C3024V |
| conical bore: | *C3024K V |

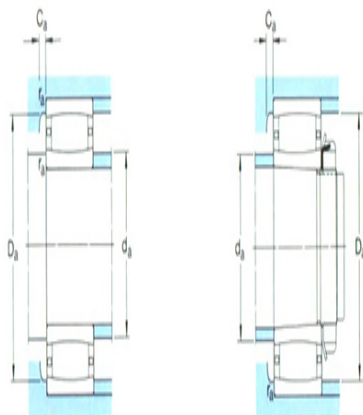


Dimensions are
 mm

| | |
|----------------------------------|------|
| d: | 120 |
| d ₂ ~ : | 138 |
| D1 ~ : | 166 |
| r _{1,2} the min: | 2 |
| s ₁ ¹⁾ ~ : | 10.6 |
| s ₂ ¹⁾ ~ : | 3.8 |

Shoulder gear and chamfer size
 mm

| | |
|---------------------------|-----|
| d _a the min: | 129 |
| d _a the max: | 150 |
| Da the min: | - |
| Da the max: | 171 |
| Ca ²⁾ the max: | - |



| | |
|----------------|---|
| r_a the max: | 2 |
|----------------|---|

Calculation coefficient

| | |
|---------|-------|
| k_1 : | 0.111 |
|---------|-------|

| | |
|---------|-------|
| k_2 : | 0.109 |
|---------|-------|