



Model: C4024K30V

Basic size of
 mm

d:	120
D:	180
B:	60

The basic rated load is
 kN

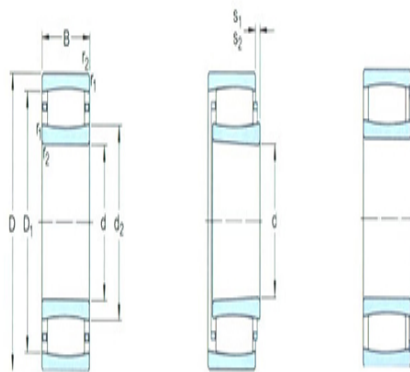
trends C:	530
static state Co:	880
Fatigue load limit Pu:	90

Rated rotation speed is
 r/min

Refer to the speed:	-
limit speed:	1100
quality:	5.5

model

Bearing cylindrical hole:	*C4024V
conical bore:	*C4024K30 V

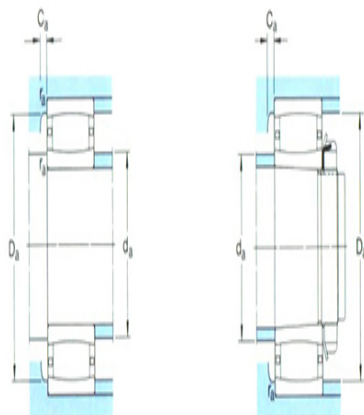


Dimensions are
 mm

d:	120
d ₂ ~ :	140
D1 ~ :	164
r _{1,2} the min:	2
s ₁ ¹⁾ ~ :	12
s ₂ ¹⁾ ~ :	5.2

Shoulder gear and chamfer size
 mm

d _a the min:	129
d _a the max:	150
Da the min:	-
Da the max:	171
Ca ²⁾ the max:	-



r_a the max:	2
----------------	---

Calculation coefficient

k_1 :	0.109
---------	-------

k_2 :	0.103
---------	-------