



Model: C4124K30V1

Basic size of
 mm

d:	120
D:	200
B:	80

The basic rated load is
 kN

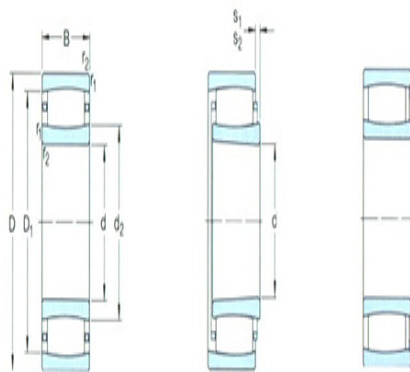
trends C:	780
static state Co:	1120
Fatigue load limit Pu:	114

Rated rotation speed is
 r/min

Refer to the speed:	-
limit speed:	750
quality:	10.5

model

Bearing cylindrical hole:	*C4124V1)
conical bore:	*C4124K30V1)

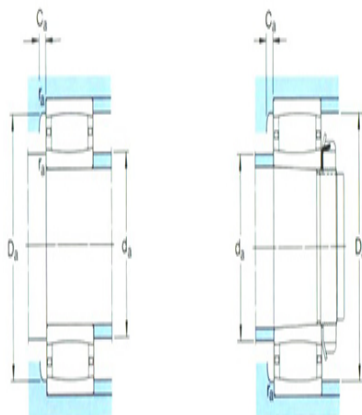


Dimensions are
 mm

d:	120
d ₂ ~ :	140
D1 ~ :	176
r _{1,2} the min:	2
s ₁ ¹⁾ ~ :	18
s ₂ ¹⁾ ~ :	11.2

Shoulder gear and chamfer size
 mm

d _a the min:	131
d _a the max:	140
Da the min:	-
Da the max:	189
Ca ²⁾ the max:	-



r_a the max:	2
----------------	---

Calculation coefficient

k_1 :	0.103
---------	-------

k_2 :	0.103
---------	-------