



Model: C2224K1

Basic size of
 mm

d:	120
D:	215
B:	58

The basic rated load is
 kN

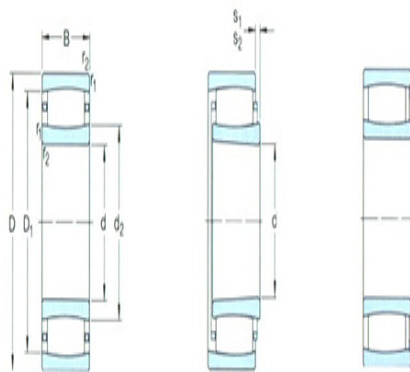
trends C:	610
static state Co:	710
Fatigue load limit Pu:	72

Rated rotation speed is
 r/min

Refer to the speed:	3000
limit speed:	4000
quality:	8.6

model

Bearing cylindrical hole:	*C22241)
conical bore:	*C2224K1)

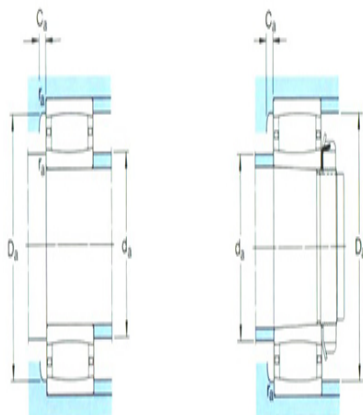


Dimensions are
 mm

d:	120
d ₂ ~ :	144
D1 ~ :	191
r _{1,2} the min:	2.1
s ₁ ¹⁾ ~ :	13
s ₂ ¹⁾ ~ :	-

Shoulder gear and chamfer size
 mm

d _a the min:	132
d _a the max:	143
Da the min:	192
Da the max:	203
Ca ²⁾ the max:	5.4



r_a the max:	2
----------------	---

Calculation coefficient

k_1 :	0.113
---------	-------

k_2 :	0.103
---------	-------