



Model: C3026K1

Basic size of
mm

d:	130
D:	200
B:	52

The basic rated load is
kN

trends C:	390
static state Co:	585
Fatigue load limit Pu:	58.5

Rated rotation speed is
r/min

Refer to the speed:	2800
limit speed:	3800
quality:	5.9

model

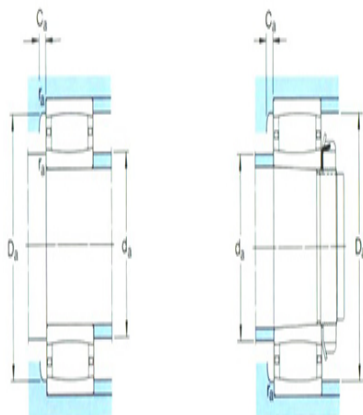
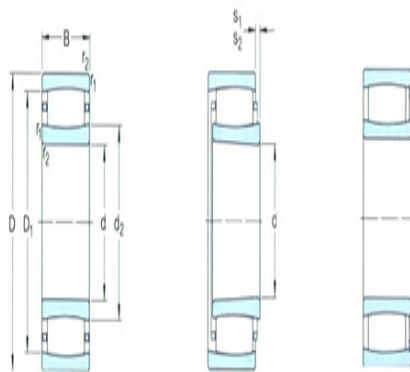
Bearing cylindrical hole:	*C30261)
conical bore:	*C3026K1)

Dimensions are
mm

d:	130
d ₂ ~ :	154
D1 ~ :	180
r _{1,2} the min:	2
s ₁ ¹⁾ ~ :	16.5
s ₂ ¹⁾ ~ :	-

Shoulder gear and chamfer size
mm

d _a the min:	139
d _a the max:	152
Da the min:	182
Da the max:	191
Ca ²⁾ the max:	4.4



r_a the max:	2
----------------	---

Calculation coefficient

k_1 :	0.123
---------	-------

k_2 :	0.1
---------	-----