



### Model: C4026K30

Basic size of  
 mm

d:	130
D:	200
B:	69

The basic rated load is  
 kN

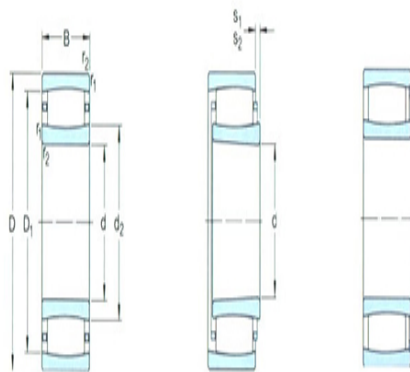
trends C:	620
static state Co:	930
Fatigue load limit Pu:	91.5

Rated rotation speed is  
 r/min

Refer to the speed:	1900
limit speed:	2800
quality:	7.84

model

Bearing cylindrical hole:	*C4026
conical bore:	*C4026K30

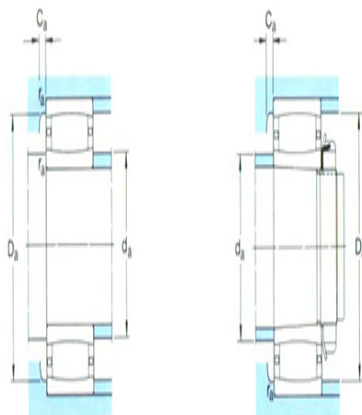


Dimensions are  
 mm

d:	130
d <sub>2</sub> ~ :	149
D1 ~ :	181
r <sub>1,2</sub> the min:	2
s <sub>1</sub> <sup>1)</sup> ~ :	11.4
s <sub>2</sub> <sup>1)</sup> ~ :	-

Shoulder gear and chamfer size  
 mm

d <sub>a</sub> the min:	139
d <sub>a</sub> the max:	155
Da the min:	175
Da the max:	191
Ca <sup>2)</sup> the max:	1.9



$r_a$ the max:	2
----------------	---

Calculation coefficient

$k_1$ :	0.113
---------	-------

$k_2$ :	0.097
---------	-------