



Model: C4126K30V/VE240

Basic size of
 mm

| | |
|----|-----|
| d: | 130 |
| D: | 210 |
| B: | 80 |

The basic rated load is
 kN

| | |
|-----------------------|------|
| trends C: | 750 |
| static state Co: | 1100 |
| Fatigue load limit | 108 |
| Pu: | |

Rated rotation speed is
 r/min

| | |
|------------------------|------|
| Refer to the speed: | - |
| limit speed: | 670 |
| quality: | 10.5 |

model

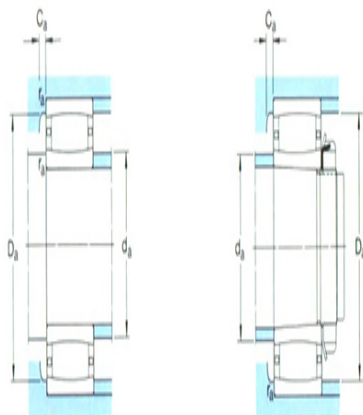
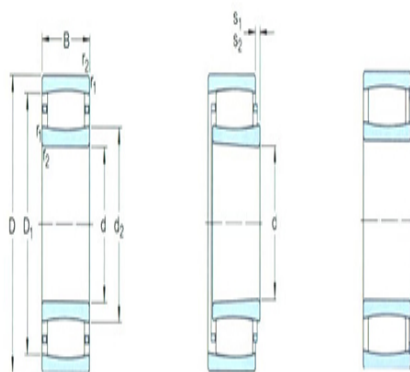
| | |
|---------------------------------|------------------|
| Bearing cylindrical hole: | *C4126V/VE240 |
| conical bore: | *C4126K30V/VE240 |
| | 0 |

Dimensions are
 mm

| | |
|----------------------------------|-----|
| d: | 130 |
| d ₂ ~ : | 153 |
| D1 ~ : | 190 |
| r _{1,2} the min: | 2 |
| s ₁ ¹⁾ ~ : | 9.7 |
| s ₂ ¹⁾ ~ : | 9.7 |

Shoulder gear and chamfer size
 mm

| | |
|-------------------------|-----|
| d _a the min: | 141 |
| d _a the max: | 170 |
| Da the min: | - |



Da the max: 199

Ca²) the max: -

r_a the max: 2

Calculation coefficient

k₁: 0.09

k₂: 0.126