



Model: C2226K

Basic size of
mm

d:	130
D:	230
B:	64

The basic rated load is
kN

trends C:	735
static state Co:	930
Fatigue load limit Pu:	93

Rated rotation speed is
r/min

Refer to the speed:	2800
limit speed:	3800
quality:	11

model

Bearing cylindrical hole:	*C2226
conical bore:	*C2226K

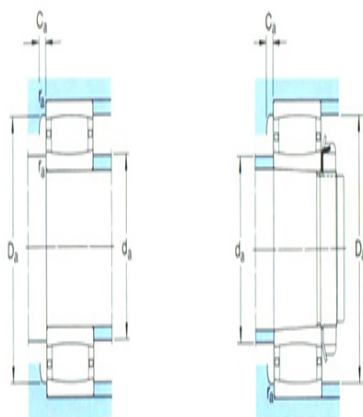
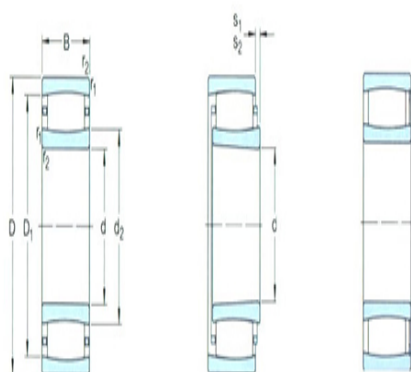
Dimensions are
mm

d:	130
d ₂ ~ :	152
D1 ~ :	199
r _{1,2} the min:	3
s ₁ ¹⁾ ~ :	9.6
s ₂ ¹⁾ ~ :	-

Shoulder gear and chamfer size
mm

d _a the min:	144
d _a the max:	170
Da the min:	185
Da the max:	216
Ca ²⁾ the max:	1.1
r _a the max:	2.5

Calculation coefficient



$k_1:$ 0.113

$k_2:$ 0.101