



Model: C30281

Basic size of
 mm

d:	140
D:	210
B:	53

The basic rated load is
 kN

trends C:	490
static state Co:	735
Fatigue load limit Pu:	72

Rated rotation speed is
 r/min

Refer to the speed:	2600
limit speed:	3400
quality:	6.3

model

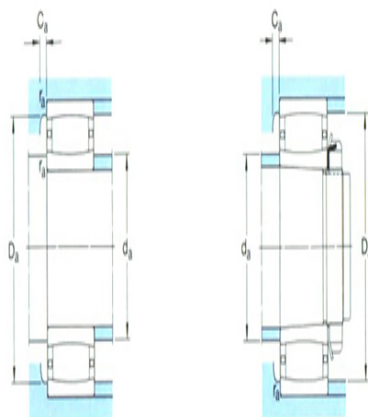
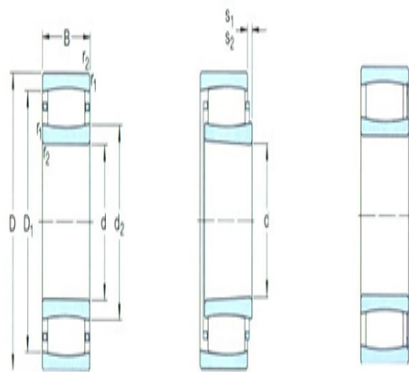
Bearing cylindrical hole:	*C30281)
conical bore:	*C3028K1)

Dimensions are
 mm

d:	140
d ₂ ~ :	163
D1 ~ :	194
r _{1,2} the min:	2
s ₁ ¹⁾ ~ :	11
s ₂ ¹⁾ ~ :	-

Shoulder gear and chamfer size
 mm

d _a the min:	149
d _a the max:	161
Da the min:	195
Da the max:	201
Ca ²⁾ the max:	4.7



r_a the max:	2
----------------	---

Calculation coefficient

k_1 :	0.102
---------	-------

k_2 :	0.116
---------	-------