



## Model: C4128V

Basic size of  
mm

d:	140
D:	225
B:	85

The basic rated load is  
kN

trends C:	1000
static state Co:	1600
Fatigue load limit Pu:	153

Rated rotation speed is  
r/min

Refer to the speed:	-
limit speed:	630
quality:	14.2

model

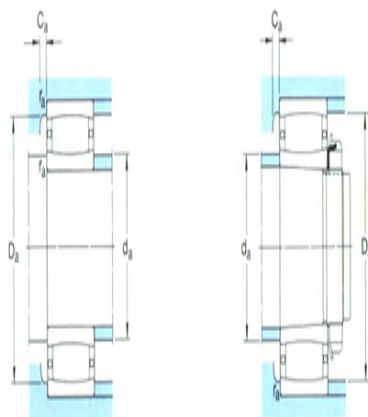
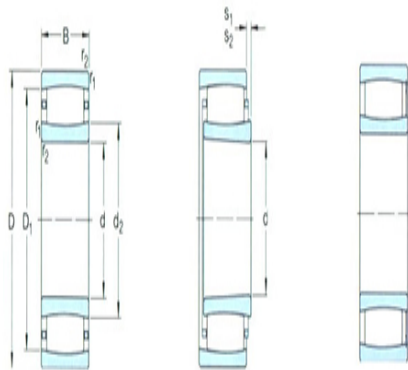
Bearing cylindrical hole:	*C4128V
conical bore:	*C4128K30 V

Dimensions are  
mm

d:	140
d <sub>2</sub> ~ :	167
D1 ~ :	203
r <sub>1,2</sub> the min:	2.1
s <sub>1</sub> <sup>1)</sup> ~ :	12
s <sub>2</sub> <sup>1)</sup> ~ :	5.2

Shoulder gear and chamfer size  
mm

d <sub>a</sub> the min:	151
d <sub>a</sub> the max:	185
Da the min:	-
Da the max:	214
Ca <sup>2)</sup> the max:	-



$r_a$ the max:	2
----------------	---

Calculation coefficient

$k_1$ :	0.111
---------	-------

$k_2$ :	0.097
---------	-------