



Model: C3030MB

Basic size of
 mm

d:	150
D:	225
B:	56

The basic rated load is
 kN

trends C:	540
static state Co:	850
Fatigue load limit Pu:	83

Rated rotation speed is
 r/min

Refer to the speed:	2400
limit speed:	3200
quality:	8.3

model

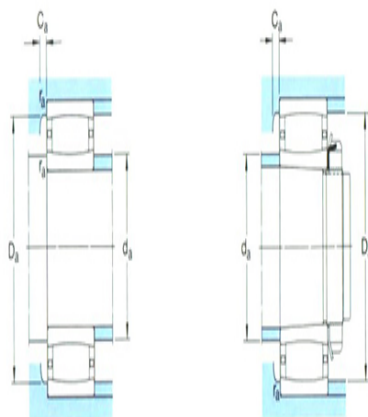
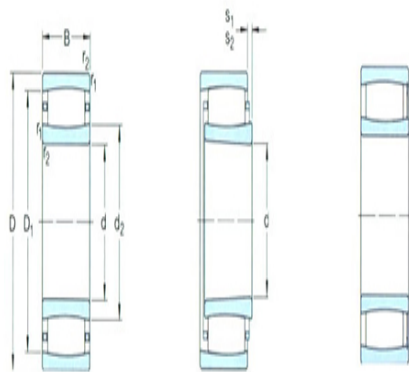
Bearing cylindrical hole:	*C3030MB
conical bore:	*C3030KM B

Dimensions are
 mm

d:	150
d ₂ ~ :	173
D1 ~ :	204
r _{1,2} the min:	2.1
s ₁ ¹⁾ ~ :	2.8
s ₂ ¹⁾ ~ :	-

Shoulder gear and chamfer size
 mm

d _a the min:	161
d _a the max:	172
Da the min:	200
Da the max:	214
Ca ²⁾ the max:	1.3



r_a the max:	2
----------------	---

Calculation coefficient

k_1 :	-
k_2 :	0.108