



Model: C4130V1

Basic size of
 mm

d:	150
D:	250
B:	100

The basic rated load is
 kN

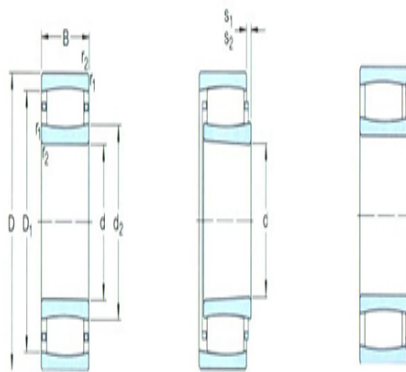
trends C:	1220
static state Co:	1860
Fatigue load limit Pu:	173

Rated rotation speed is
 r/min

Refer to the speed:	-
limit speed:	450
quality:	20.5

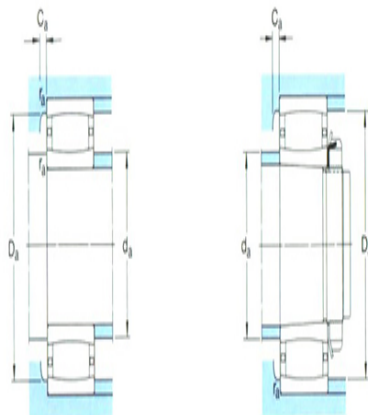
model

Bearing cylindrical hole:	*C4130V1)
conical bore:	*C4130K30V1)



Dimensions are
 mm

d:	150
d ₂ ~ :	179
D1 ~ :	222
r _{1,2} the min:	2.1
s ₁ ¹⁾ ~ :	20
s ₂ ¹⁾ ~ :	10.1



Shoulder gear and chamfer size
 mm

d _a the min:	162
d _a the max:	175
Da the min:	-
Da the max:	228
Ca ²⁾ the max:	-

r_a the max:	2
----------------	---

Calculation coefficient

k_1 :	0.103
---------	-------

k_2 :	0.103
---------	-------