



Model: C2230

Basic size of
mm

d:	150
D:	270
B:	73

The basic rated load is
kN

trends C:	980
static state Co:	1220
Fatigue load limit Pu:	116

Rated rotation speed is
r/min

Refer to the speed:	2400
limit speed:	3200
quality:	17.5

model

Bearing cylindrical hole:	*C2230
conical bore:	*C2230K

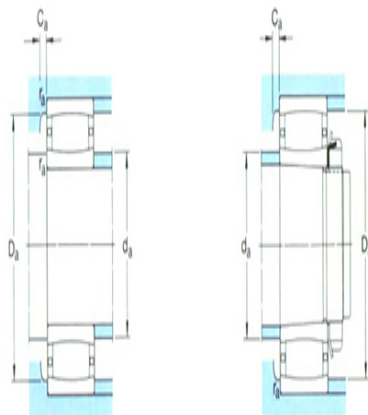
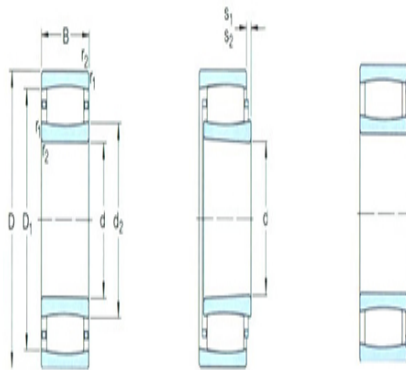
Dimensions are
mm

d:	150
d ₂ ~ :	177
D1 ~ :	236
r _{1,2} the min:	3
s ₁ ¹⁾ ~ :	11.2
s ₂ ¹⁾ ~ :	-

Shoulder gear and chamfer size
mm

d _a the min:	164
d _a the max:	200
Da the min:	215
Da the max:	256
Ca ²⁾ the max:	2.5
r _a the max:	2.5

Calculation coefficient



$k_1:$ 0.119

$k_2:$ 0.096