



Model: C4032V

Basic size of
 mm

d:	160
D:	240
B:	80

The basic rated load is
 kN

trends C:	915
static state Co:	1460
Fatigue load limit Pu:	140

Rated rotation speed is
 r/min

Refer to the speed:	-
limit speed:	600
quality:	12.6

model

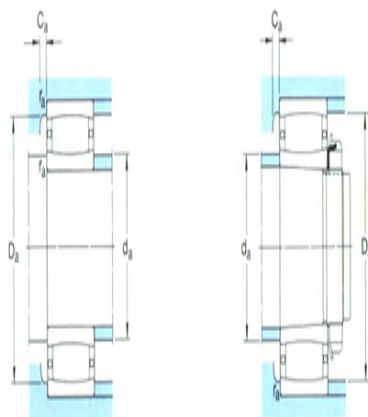
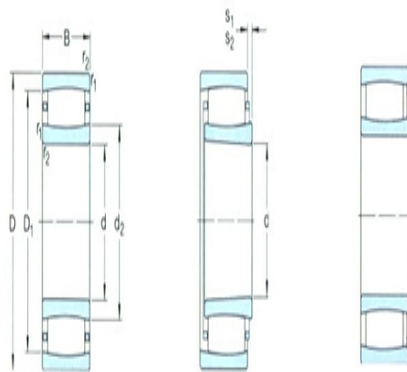
Bearing cylindrical hole:	*C4032V
conical bore:	*C4032K30 V

Dimensions are
 mm

d:	160
d ₂ ~ :	181
D1 ~ :	217
r _{1,2} the min:	2.1
s ₁ ¹⁾ ~ :	18.1
s ₂ ¹⁾ ~ :	8.2

Shoulder gear and chamfer size
 mm

d _a the min:	171
d _a the max:	195
Da the min:	-
Da the max:	229
Ca ²⁾ the max:	-



r_a the max:	2
----------------	---

Calculation coefficient

k_1 :	0.109
---------	-------

k_2 :	0.103
---------	-------