



Model: C31321

Basic size of
mm

d:	160
D:	270
B:	86

The basic rated load is
kN

trends C:	1000
static state Co:	1400
Fatigue load limit Pu:	132

Rated rotation speed is
r/min

Refer to the speed:	2000
limit speed:	2600
quality:	20

model

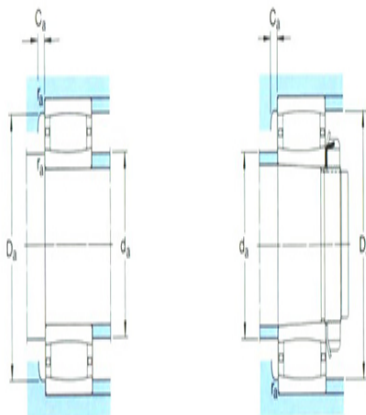
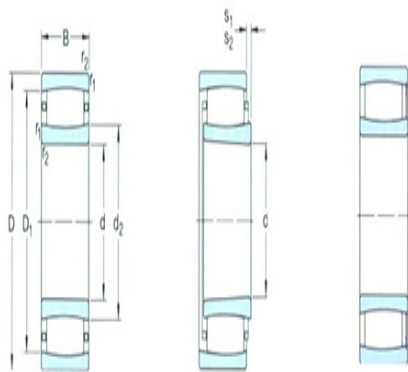
Bearing cylindrical hole:	*C31321)
conical bore:	*C3132K1)

Dimensions are
mm

d:	160
d ₂ ~ :	191
D1 ~ :	240
r _{1,2} the min:	2.1
s ₁ ¹⁾ ~ :	19
s ₂ ¹⁾ ~ :	-

Shoulder gear and chamfer size
mm

d _a the min:	172
d _a the max:	190
Da the min:	242
Da the max:	258
Ca ²⁾ the max:	7.5



r_a the max:	2
----------------	---

Calculation coefficient

k_1 :	0.099
---------	-------

k_2 :	0.111
---------	-------