



Model: C4132V1

Basic size of
mm

d:	160
D:	270
B:	109

The basic rated load is
kN

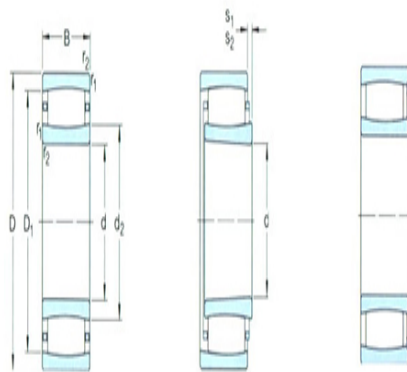
trends C:	1460
static state Co:	2160
Fatigue load limit Pu:	200

Rated rotation speed is
r/min

Refer to the speed:	-
limit speed:	300
quality:	26

model

Bearing cylindrical hole:	*C4132V1)
conical bore:	*C4132K30V1)

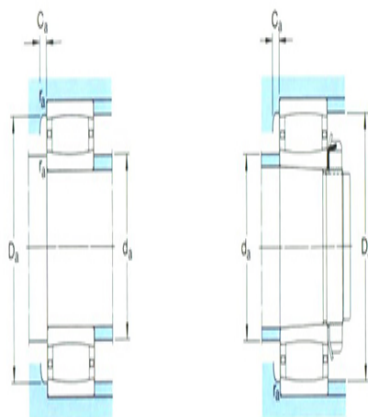


Dimensions are
mm

d:	160
d ₂ ~ :	190
D1 ~ :	241
r _{1,2} the min:	2.1
s ₁ ¹⁾ ~ :	21
s ₂ ¹⁾ ~ :	11.1

Shoulder gear and chamfer size
mm

d _a the min:	172
d _a the max:	190
Da the min:	-
Da the max:	258
Ca ²⁾ the max:	-



r_a the max:	2
----------------	---

Calculation coefficient

k_1 :	0.101
---------	-------

k_2 :	0.105
---------	-------