



## Model: C3232

Basic size of  
mm

d:	160
D:	290
B:	104

The basic rated load is  
kN

trends C:	1370
static state Co:	1830
Fatigue load limit Pu:	170

Rated rotation speed is  
r/min

Refer to the speed:	1700
limit speed:	2400
quality:	28.5

model

Bearing cylindrical hole:	*C3232
conical bore:	*C3232K

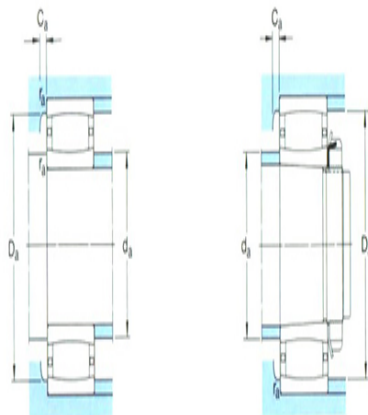
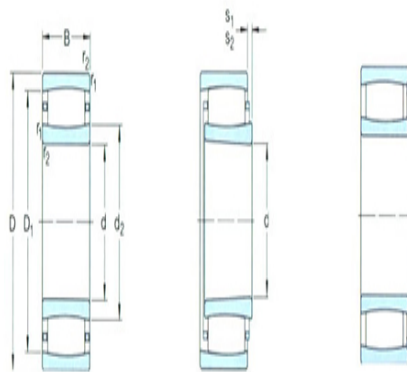
Dimensions are  
mm

d:	160
d <sub>2</sub> ~ :	194
D1 ~ :	256
r <sub>1,2</sub> the min:	3
s <sub>1</sub> <sup>1)</sup> ~ :	19.3
s <sub>2</sub> <sup>1)</sup> ~ :	-

Shoulder gear and chamfer size  
mm

d <sub>a</sub> the min:	174
d <sub>a</sub> the max:	215
Da the min:	245
Da the max:	276
Ca <sup>2)</sup> the max:	2.6
r <sub>a</sub> the max:	2.5

Calculation coefficient



$k_1:$  0.112

$k_2:$  0.096