



Model: C30341

Basic size of
 mm

d:	170
D:	260
B:	67

The basic rated load is
 kN

trends C:	750
static state Co:	1160
Fatigue load limit Pu:	108

Rated rotation speed is
 r/min

Refer to the speed:	2000
limit speed:	2800
quality:	12.5

model

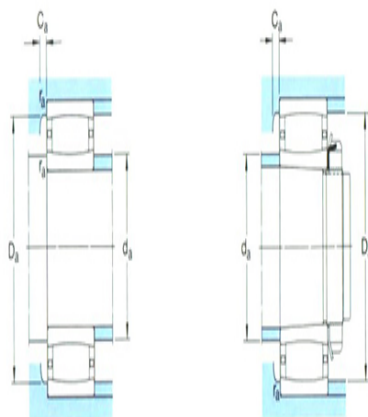
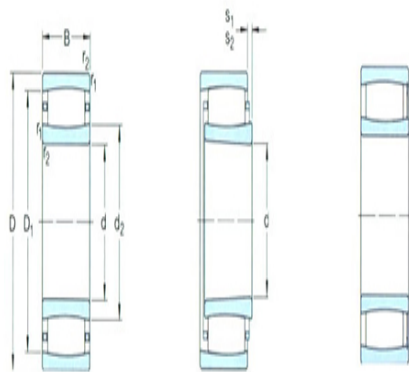
Bearing cylindrical hole:	*C30341)
conical bore:	*C3034K1)

Dimensions are
 mm

d:	170
d ₂ ~ :	200
D1 ~ :	237
r _{1,2} the min:	2.1
s ₁ ¹⁾ ~ :	12.5
s ₂ ¹⁾ ~ :	-

Shoulder gear and chamfer size
 mm

d _a the min:	181
d _a the max:	200
Da the min:	238
Da the max:	249
Ca ²⁾ the max:	5.8



r_a the max:	2
----------------	---

Calculation coefficient

k_1 :	0.105
---------	-------

k_2 :	0.112
---------	-------