



## Model: C4034V

Basic size of  
mm

d:	170
D:	260
B:	90

The basic rated load is  
kN

trends C:	1140
static state Co:	1860
Fatigue load limit Pu:	170

Rated rotation speed is  
r/min

Refer to the speed:	-
limit speed:	480
quality:	17.5

model

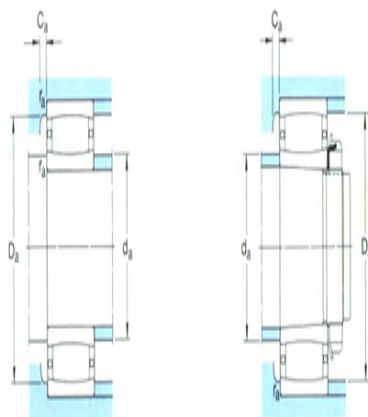
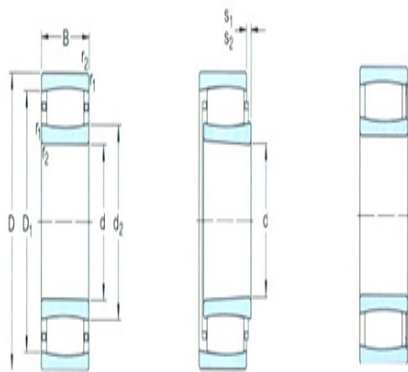
Bearing cylindrical hole:	*C4034V
conical bore:	*C4034K30 V

Dimensions are  
mm

d:	170
d <sub>2</sub> ~ :	195
D1 ~ :	235
r <sub>1,2</sub> the min:	2.1
s <sub>1</sub> <sup>1)</sup> ~ :	17.1
s <sub>2</sub> <sup>1)</sup> ~ :	7.2

Shoulder gear and chamfer size  
mm

d <sub>a</sub> the min:	181
d <sub>a</sub> the max:	215
Da the min:	-
Da the max:	249
Ca <sup>2)</sup> the max:	-



$r_a$ the max:	2
----------------	---

Calculation coefficient

$k_1$ :	0.108
---------	-------

$k_2$ :	0.103
---------	-------