



## Model: C31341

Basic size of  
mm

d:	170
D:	280
B:	88

The basic rated load is  
kN

trends C:	1040
static state Co:	1460
Fatigue load limit Pu:	137

Rated rotation speed is  
r/min

Refer to the speed:	1900
limit speed:	2600
quality:	21

model

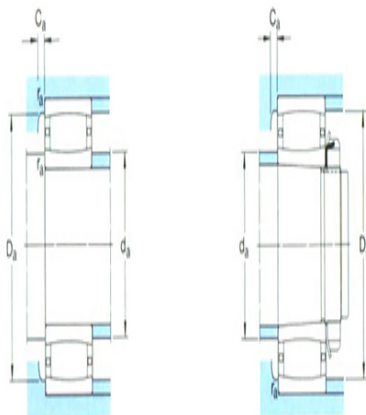
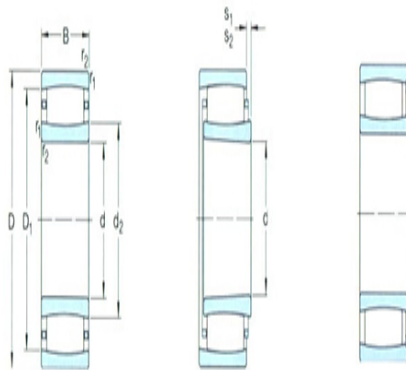
Bearing cylindrical hole:	*C31341)
conical bore:	*C3134K1 )

Dimensions are  
mm

d:	170
d <sub>2</sub> ~ :	200
D1 ~ :	249
r <sub>1,2</sub> the min:	2.1
s <sub>1</sub> <sup>1)</sup> ~ :	21
s <sub>2</sub> <sup>1)</sup> ~ :	-

Shoulder gear and chamfer size  
mm

d <sub>a</sub> the min:	182
d <sub>a</sub> the max:	200
Da the min:	250
Da the max:	268
Ca <sup>2)</sup> the max:	7.6



$r_a$ the max:	2
----------------	---

Calculation coefficient

$k_1$ :	0.101
---------	-------

$k_2$ :	0.109
---------	-------