



### Model: C4134V1

Basic size of  
 mm

d:	170
D:	280
B:	109

The basic rated load is  
 kN

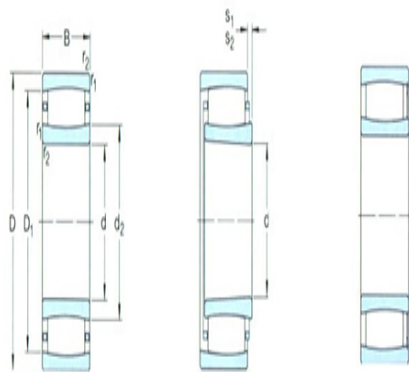
trends C:	1530
static state Co:	2280
Fatigue load limit Pu:	208

Rated rotation speed is  
 r/min

Refer to the speed:	-
limit speed:	280
quality:	27

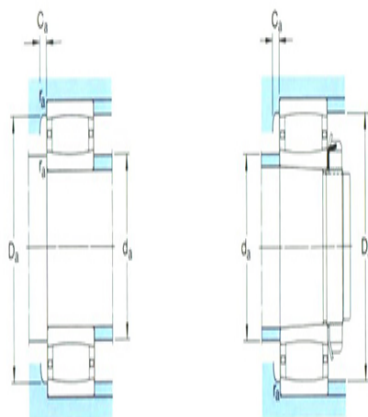
model

Bearing cylindrical hole:	*C4134V1)
conical bore:	*C4134K30V1 )



Dimensions are  
 mm

d:	170
d <sub>2</sub> ~ :	200
D1 ~ :	251
r <sub>1,2</sub> the min:	2.1
s <sub>1</sub> <sup>1)</sup> ~ :	21
s <sub>2</sub> <sup>1)</sup> ~ :	11.1



Shoulder gear and chamfer size  
 mm

d <sub>a</sub> the min:	182
d <sub>a</sub> the max:	200
Da the min:	-
Da the max:	268
Ca <sup>2)</sup> the max:	-

$r_a$ the max:	2
----------------	---

Calculation coefficient

$k_1$ :	0.101
---------	-------

$k_2$ :	0.106
---------	-------