



## Model: C2234

Basic size of  
mm

d:	170
D:	310
B:	86

The basic rated load is  
kN

trends C:	1270
static state Co:	1630
Fatigue load limit Pu:	150

Rated rotation speed is  
r/min

Refer to the speed:	2000
limit speed:	2600
quality:	28

model

Bearing cylindrical hole:	*C2234
conical bore:	*C2234K

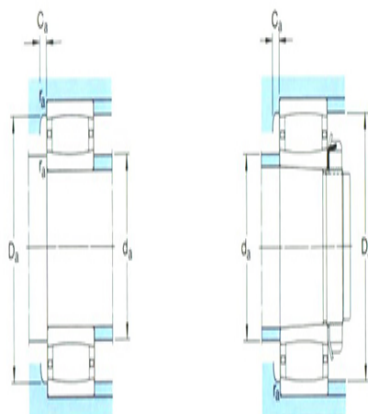
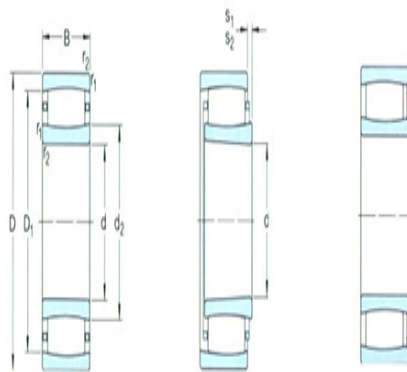
Dimensions are  
mm

d:	170
d <sub>2</sub> ~ :	209
D1 ~ :	274
r <sub>1,2</sub> the min:	4
s <sub>1</sub> <sup>1)</sup> ~ :	16.4
s <sub>2</sub> <sup>1)</sup> ~ :	-

Shoulder gear and chamfer size  
mm

d <sub>a</sub> the min:	187
d <sub>a</sub> the max:	230
Da the min:	255
Da the max:	293
Ca <sup>2)</sup> the max:	3
r <sub>a</sub> the max:	3

Calculation coefficient



$k_1:$  0.114

$k_2:$  0.1