



### Model: C3036

Basic size of  
mm

d:	180
D:	280
B:	74

The basic rated load is  
kN

trends C:	880
static state Co:	1340
Fatigue load limit Pu:	125

Rated rotation speed is  
r/min

Refer to the speed:	1900
limit speed:	2600
quality:	16.5

model

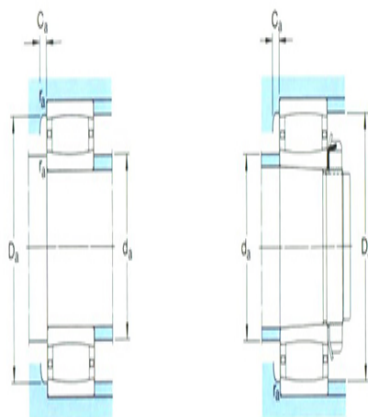
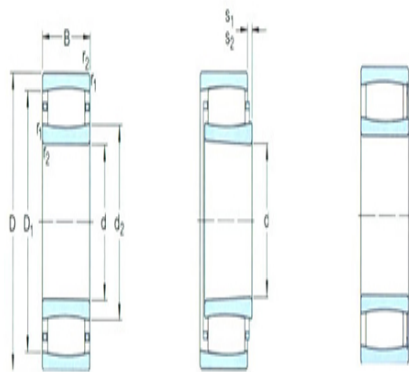
Bearing cylindrical hole:	*C3036
conical bore:	*C3036K2 )

Dimensions are  
mm

d:	180
d <sub>2</sub> ~ :	209
D1 ~ :	251
r <sub>1,2</sub> the min:	2.1
s <sub>1</sub> <sup>1)</sup> ~ :	15.1
s <sub>2</sub> <sup>1)</sup> ~ :	-

Shoulder gear and chamfer size  
mm

d <sub>a</sub> the min:	191
d <sub>a</sub> the max:	220
Da the min:	240
Da the max:	269
Ca <sup>2)</sup> the max:	2



$r_a$ the max:	2
----------------	---

Calculation coefficient

$k_1$ :	0.112
---------	-------

$k_2$ :	0.105
---------	-------