



Model: C4036V

Basic size of
mm

d:	180
D:	280
B:	100

The basic rated load is
kN

trends C:	1320
static state Co:	2120
Fatigue load limit Pu:	193

Rated rotation speed is
r/min

Refer to the speed:	-
limit speed:	430
quality:	23

model

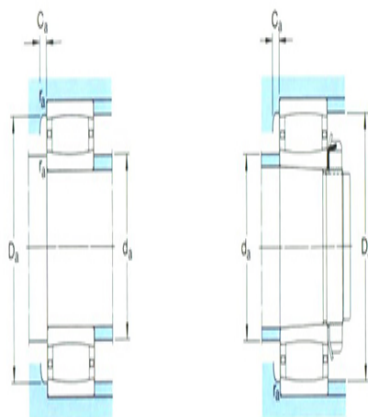
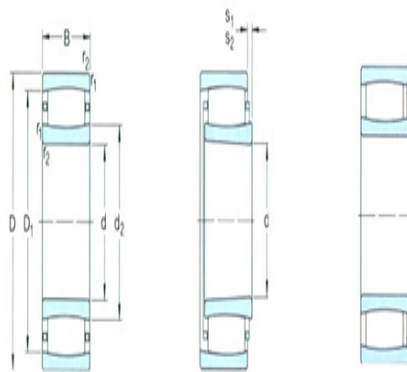
Bearing cylindrical hole:	*C4036V
conical bore:	*C4036K30 V

Dimensions are
mm

d:	180
d ₂ ~ :	203
D1 ~ :	247
r _{1,2} the min:	2.1
s ₁ ¹⁾ ~ :	20.1
s ₂ ¹⁾ ~ :	10.2

Shoulder gear and chamfer size
mm

d _a the min:	191
d _a the max:	225
Da the min:	-
Da the max:	269
Ca ²⁾ the max:	-



r_a the max:	2
----------------	---

Calculation coefficient

k_1 :	0.107
---------	-------

k_2 :	0.103
---------	-------