



Model: C4136V1

Basic size of
mm

d:	180
D:	300
B:	118

The basic rated load is
kN

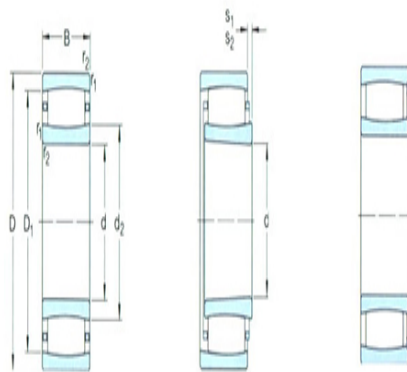
trends C:	1760
static state Co:	2700
Fatigue load limit Pu:	240

Rated rotation speed is
r/min

Refer to the speed:	-
limit speed:	220
quality:	34.5

model

Bearing cylindrical hole:	*C4136V1)
conical bore:	*C4136K30V1)

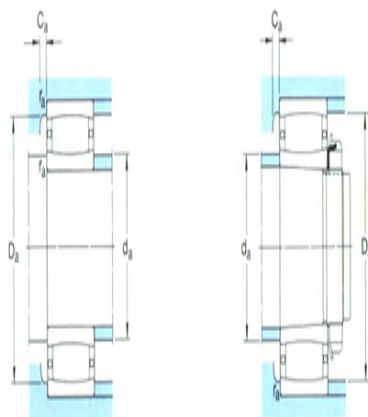


Dimensions are
mm

d:	180
d ₂ ~ :	211
D1 ~ :	265
r _{1,2} the min:	3
s ₁ ¹⁾ ~ :	20
s ₂ ¹⁾ ~ :	10.1

Shoulder gear and chamfer size
mm

d _a the min:	194
d _a the max:	210
Da the min:	-
Da the max:	286
Ca ²⁾ the max:	-



r_a the max:	2.5
----------------	-----

Calculation coefficient

k_1 :	0.095
---------	-------

k_2 :	0.11
---------	------