



## Model: C3236

Basic size of  
mm

d:	180
D:	320
B:	112

The basic rated load is  
kN

trends C:	1530
static state Co:	2200
Fatigue load limit Pu:	196

Rated rotation speed is  
r/min

Refer to the speed:	1500
limit speed:	2000
quality:	37

model

Bearing cylindrical hole:	*C3236
conical bore:	*C3236K

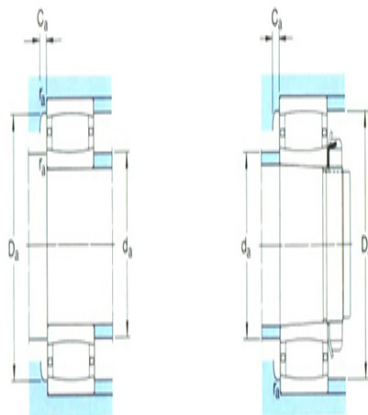
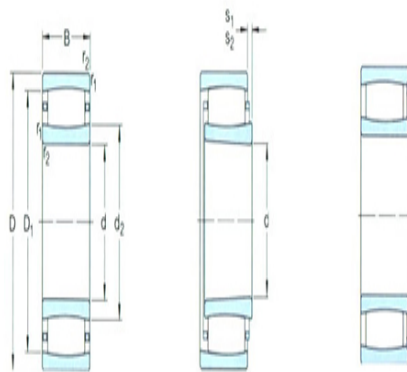
Dimensions are  
mm

d:	180
d <sub>2</sub> ~ :	228
D1 ~ :	289
r <sub>1,2</sub> the min:	4
s <sub>1</sub> <sup>1)</sup> ~ :	27.3
s <sub>2</sub> <sup>1)</sup> ~ :	-

Shoulder gear and chamfer size  
mm

d <sub>a</sub> the min:	197
d <sub>a</sub> the max:	245
Da the min:	275
Da the max:	303
Ca <sup>2)</sup> the max:	3.2
r <sub>a</sub> the max:	3

Calculation coefficient



$k_1:$  0.107

$k_2:$  0.104